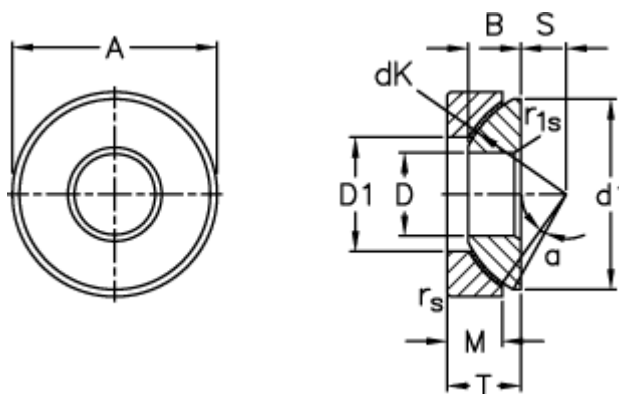


Article number: 03512060

Description: Fluro Rod end GE 60AW

Measures



A	= 150 0 -0,018	rs, r1s min	= 1
B	= 37	S	= 35
D	= 60 0 -0,015	Static axial load C0 (kN)	= 2940
d1 max	= 140	T	= 45 +0,25 -0,50
D1 min	= 84	Tilt angle	= 6
dK	= 160	Weight	= 4630
Dynamic axial load C (kN)	= 1470		
M	= 34		